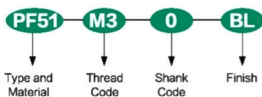


PF51/PF52

PANEL FASTENERS



Part Number Designation

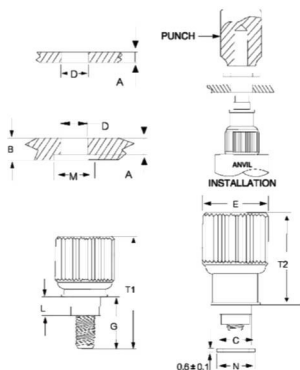


Knob: Aluminum

Ferrule: Aluminum

Screw: 300 Series Stainless Steel

Spring: 300 Series Stainless Steel



All dimensions are in millimeters (Size Unit:mm)

Thread Size		Type	Thread Code		Shank Code	L Nom.	Sheet Thickness A Min-Max	C ± 0.06	E ± 0.25	G ± 0.4	T1 ± 0.2	T2 Nom.	B Min.	D +0.08	N ± 0.25	M Min.	Driver Size	
Unified	Metric		Unified	Metric														
METRIC	.112-40 (#4-40)	M3X0.5	PF51 PF16	440	M3	0	3.4	0-1.6	4.9	10.5	5.1	13.8	11.9	2.8	6.4	7.8	9.4	#1
						1					8.2	15.3						
	.112-40 (#4-40)	M3X0.5	PF52 PF26	440	M3	0	4.2	1.6-2.5	4.9	10.5	8.2	16.9	11.9	3.6	6.4	7.8	9.4	#1
						1					7.2	17.8						
	.138-32 (#6-32)	M3.5X0.6	PF51 PF16	632	M3.5	1	3.7	0-1.6	5.7	11.5	10.4	21	15.4	2.9	7.2	8.6	10.3	#2
						2					8.8	19.4						
	.138-32 (#6-32)	M3.5X0.6	PF52 PF26	632	M3.5	0	4.5	1.6-2.5	5.7	11.5	10.4	21	15.4	3.7	7.2	8.6	10.3	#2
						1					7.3	18.5						
	.164-32 (#8-32)	M4X0.7	PF51 PF16	832	M4	1	4	0-1.6	7.3	13	8.8	20	16.2	3.1	8.8	10.2	12	#2
						2					10.4	21.6						
	.164-32 (#8-32)	M4X0.7	PF52 PF26	832	M4	0	4.8	1.6-2.5	7.3	13	8.8	20	16.2	3.9	8.8	10.2	12	#2
						1					7.3	18.5						
	.190-32 (#10-32)	M5X0.8	PF51 PF16	032	M5	1	4	0-1.6	7.3	13	8.8	20	16.2	3.1	8.8	10.2	12	#2
						2					10.4	21.6						
	.190-32 (#10-32)	M5X0.8	PF52 PF26	032	M5	0	4.8	1.6-2.5	7.3	13	8.8	20	16.2	3.9	8.8	10.2	12	#2
						1					8.8	21.6						
.250-20 (1/4-20)	M6X1	PF51 PF16	0420	M6	1	4	0-1.6	8.9	14.7	10.4	23.7	20	3.3	10.5	11.9	13.5	#3	
					2					12	25.3							
.250-20 (1/4-20)	M6X1	PF52 PF26	0420	M6	0	4.8	1.6-2.5	8.9	14.7	10.4	23.7	20	4.1	10.5	11.9	13.5	#3	
					1					12	25.3							